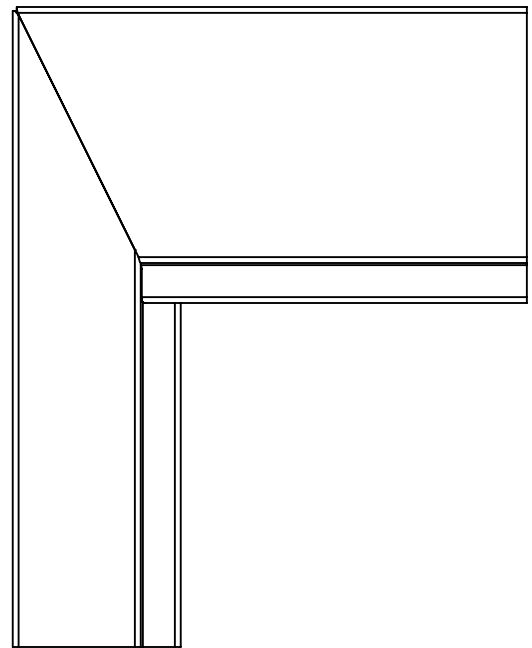
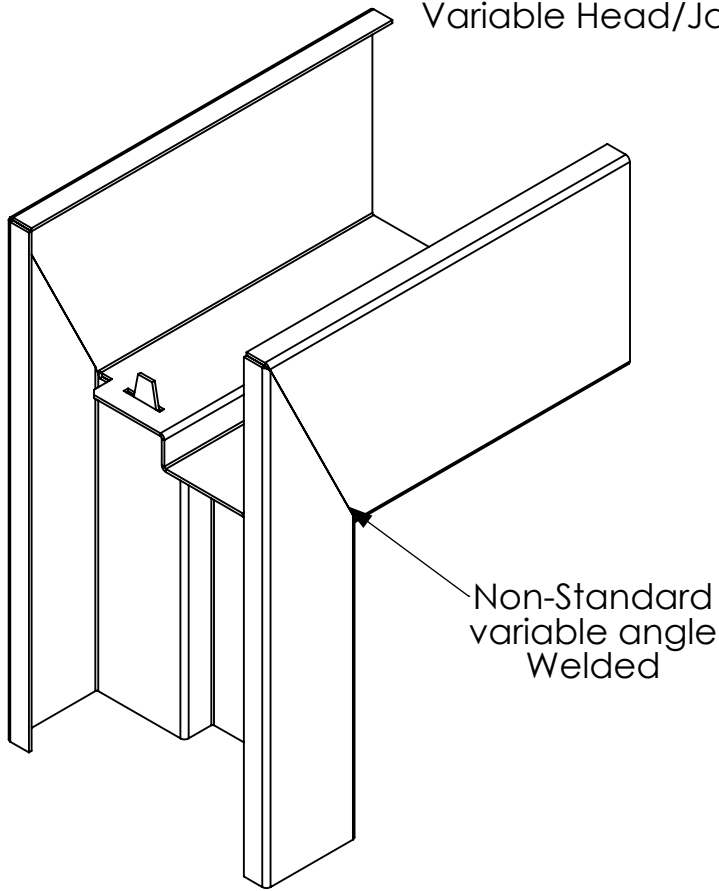


### Variable Head/Jamb Faces



Weld End clips to fill cutoff voids

