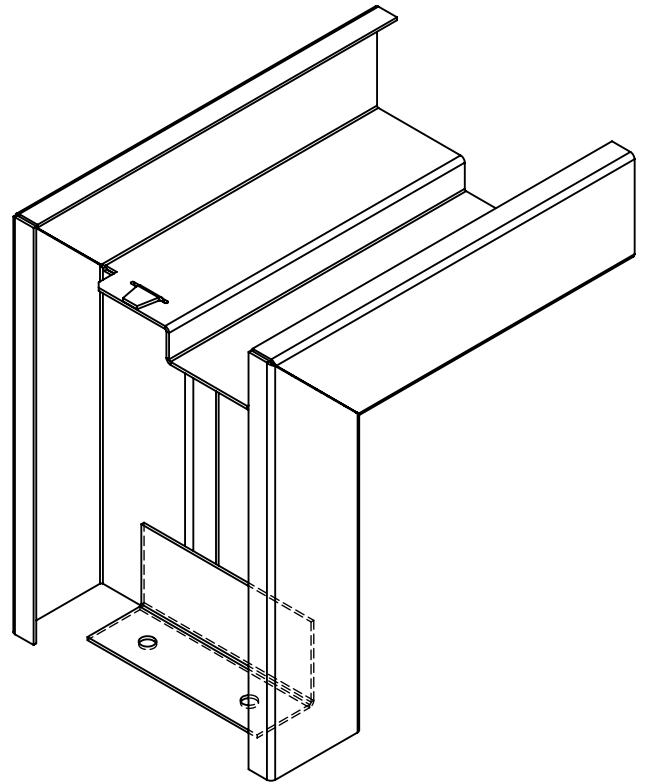
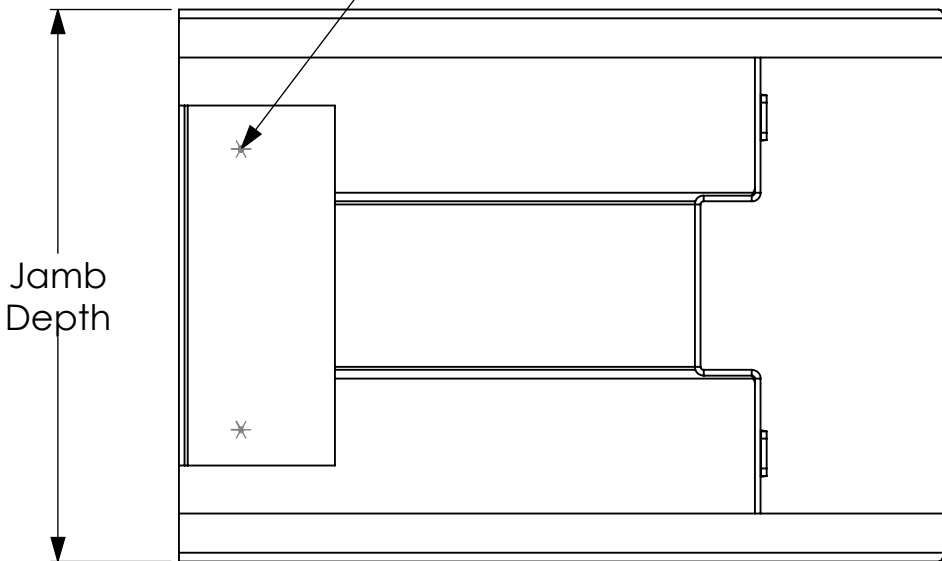


Floor Anchor



Spotweld to frame
(2 Places)



Number of holes varies
by jamb depth

$\left[\frac{9}{32} \right]$
 $\varnothing 0.281$

