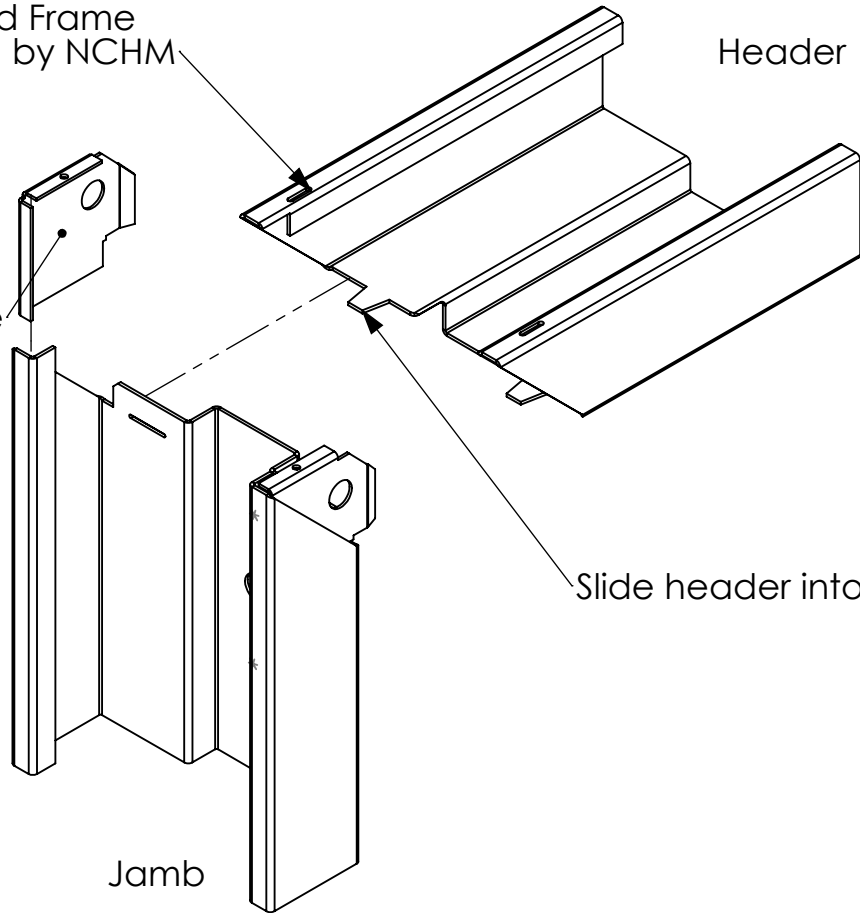


Knock Down Drywall

Slots for Fire Rated Frame
#8 screws provided by NCHM

Header

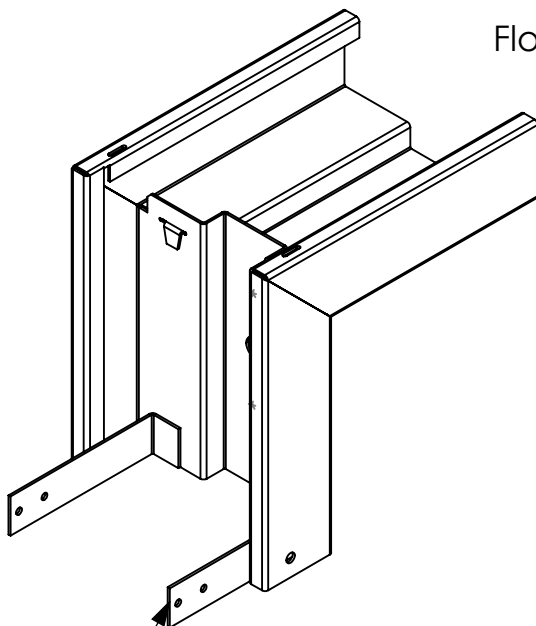
Spot weld gussets to frame
at manufacturing facility
Limit to 2" face size and above



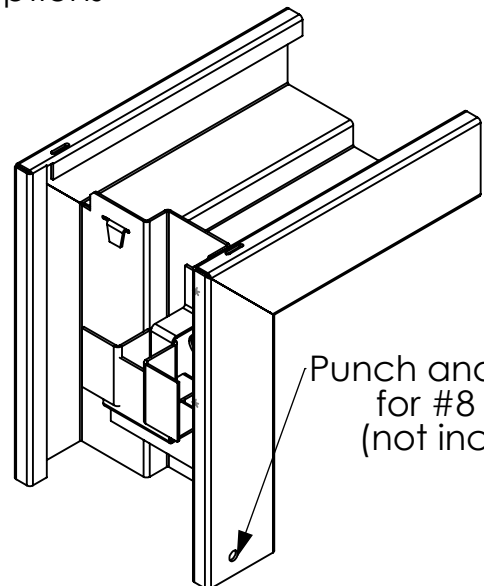
Slide header into jamb

Jamb

Floor Anchor Options



Wood Straps
welded to frame



Punch and Dimpled
for #8 screw
(not included)