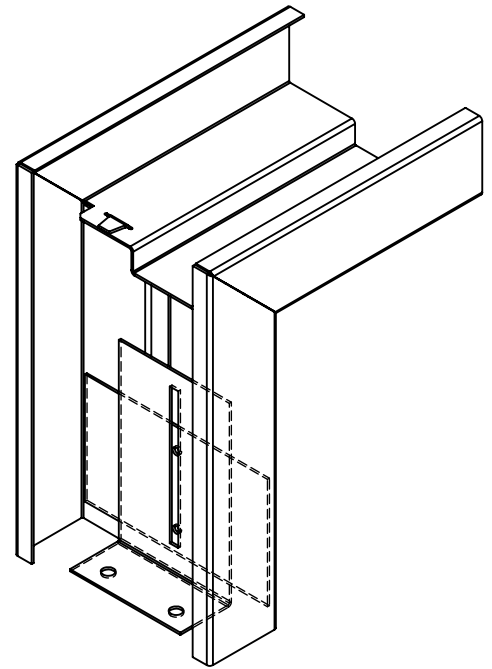
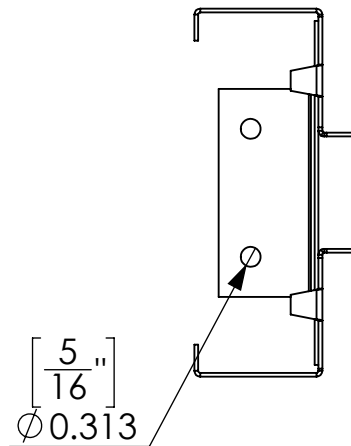
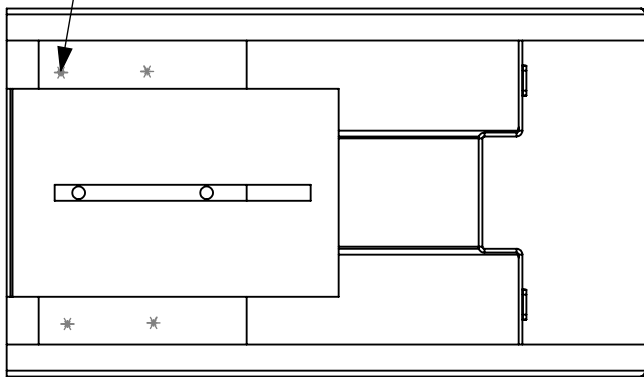


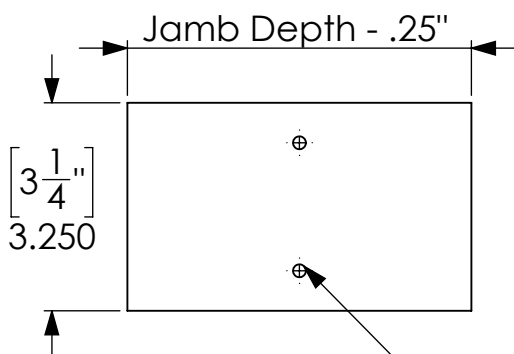
Adjustable Floor Anchors



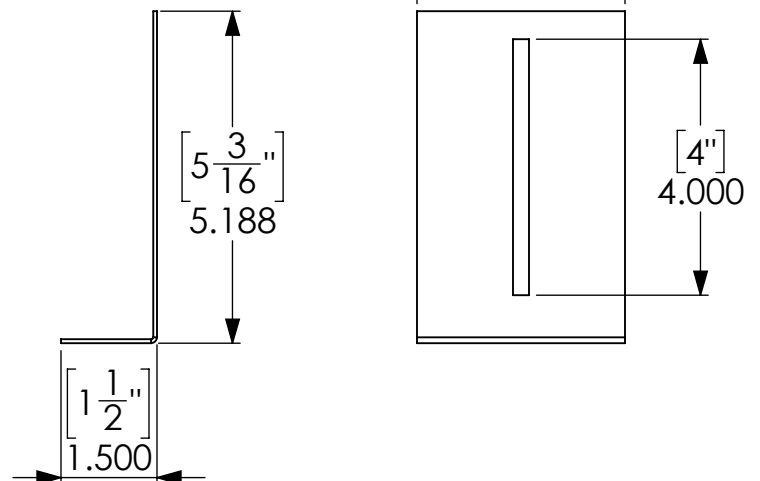
Spot weld plate to frame
(4 Places)



12 Gauge



Tap 1/4"-20
(2 Places)



*If Jamb Depth exceeds 6", increase width by difference